

# AMANO®

## **PR600 Series Watchman's Clock**

### **Handling Manual**



## **Proprietary Notice**

This document contains proprietary information and such information may not be reproduced in whole or part without the written permission from Amano Cincinnati, Inc. 140 Harrison Ave., Roseland, New Jersey 07068.

Amano Cincinnati, Inc. reserves the right to make equipment changes and improvements, which may not be reflected in this document. Portions of this document may have been updated to include the latest hardware or firmware version, if applicable. We recommend that this document be read in its entirety before any attempt is made to operate the equipment.

### ***Thank You....***

For purchasing another fine product from  
Amano Cincinnati, Inc.

# Table of Contents

---

<b>Table of Contents</b> .....	<b>i</b>
<b>Introduction</b> .....	<b>3</b>
<b>Accessories</b> .....	<b>3</b>
<b>Features</b> .....	<b>3</b>
<b>Names and Functions of Parts</b> .....	<b>4</b>
External View .....	4
Internal View .....	4
<b>Operation</b> .....	<b>5</b>
1. How to Open the Case (Refer to Fig. 1, 2, 3, & 4).....	5
2. How to Operate (Refer to Fig. 1, & 2). .....	5
3. How to Install the Roll Paper (Refer to Fig. 5, & 6).....	5
4. How to Install the Roll Paper (Refer to Fig. 3, & 7).....	6
5. How to Adjust the Date (Refer to Fig. 3, & 7).....	6
6. How to Remove the Roll Paper (Refer to Fig. 5, & 6). .....	6
7. Battery Replacement .....	7
8. Installation of Station Box & Key (Refer to Fig. 8, & 9).....	7



***IMPORTANT:*** To open the case or register the time, rotate the key only in the direction of the arrow shown on the surface of the case. Any result caused by reverse rotation of the key will not be responsible by the manufacturer.

## Introduction

This manual explains how to use your PR600 Watchman's Time Recorder.

You are strongly encouraged to **read this manual completely** before using the PR600, and to retain it for future reference.

## Accessories

The following accessories are provided with the **PR600**. After unpacking, please ensure that all of the following items are provided:

- 1 PR600 Watchman's Time Recorder
- 1 Shoulder Belt
- 1 Master Key
- 1 Battery
- 1 Box of Roll Paper (10 rolls)

Please note that specifications, appearance, and/or description are subject to change without notice due to product enhancements.

This manual has been carefully prepared, but Amano assumes no liability for errors and/or omissions. If you should find any errors or unclear information, please contact your Amano dealer.

## Features

The PR600 provides the following:

- Quartz Accuracy.
- No inked ribbon required. Clear imprint with carbonless paper.
- A standard dry cell battery for clock and typewheel operation with normal operation rated for 6 months.
- Each paper roll is 12m long and provides 2,000 imprints.
- Whenever the PR600 is opened with the (K) master key, the mark special mark of [O] is printed on the rolled paper.
- Flushing warning light [disappear], indicates battery change required.
- Compact size: 170 mm Wide x 61 mm Depth x 118 mm High.
- Weight: 800 g

## Names and Functions of Parts

The following describes the names of the various parts of the PR600.

### External View

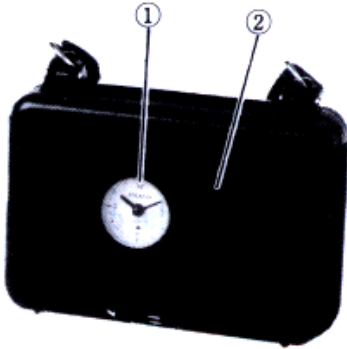


Figure 1.



Figure 2.

1. Clock Face
2. Case
3. Key Hole

### Internal View

4. Seconds Adjuster
5. Feed Lever (Date)
6. Battery Case
7. Paper Winder
8. Key Hole Guide
9. Roll Paper Guide
10. Time Adjustment Knob
11. Hook

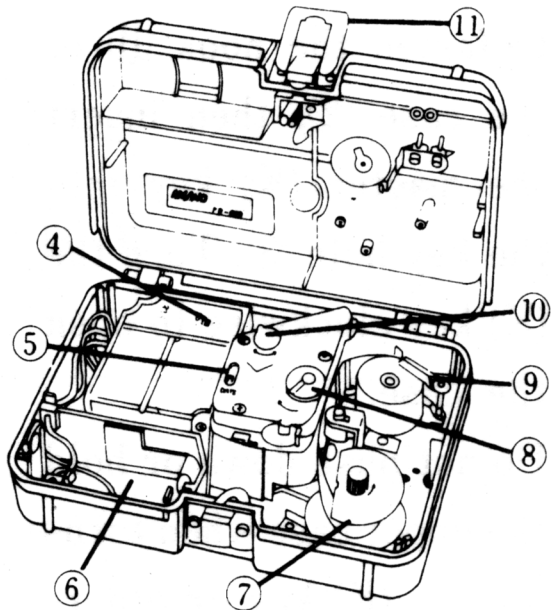


Figure 3.

## Operation

### 1. How to Open the Case (Refer to Fig. 1, 2, 3, & 4).

- Unfasten the **hook** [11] of the **case** [2], and insert the master (K) key into the **key hole** [3]. Turn the (K) key clockwise to open the case.
- DO NOT push down, and/or hold the upper case when turning the (K) key, or the lock will not be released.

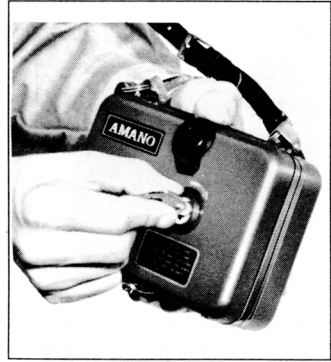


Figure 4.

### 2. How to Operate (Refer to Fig. 1, & 2).

- Place the battery into the **battery case** [6], and ensure proper placement by carefully checking the +/- battery sides.
- Once the battery is inserted, the small lamp on the clock face will light up indicating the clock is ready for operation.

### 3. How to Install the Roll Paper (Refer to Fig. 5, & 6).

- Release the roll **paper guide** [9] as shown in Fig. 5, and install the roll paper.
- Insert the end of the roll paper into the slot of the **paper tape winder** [7] as shown in Fig. 5, and turn the knob counter clockwise (as shown in Fig. 6) so that the roll paper has suitable tension.

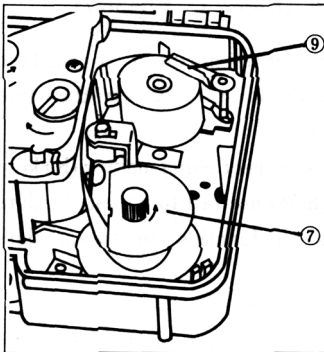


Figure 5.

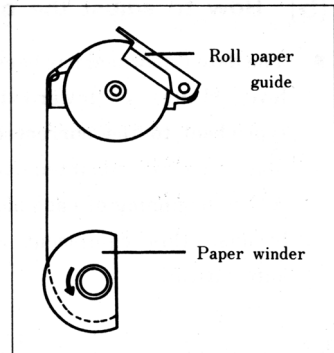
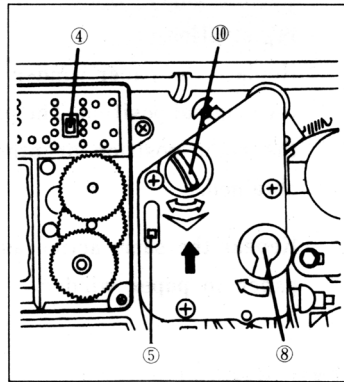


Figure 6.

#### 4. How to Install the Roll Paper (Refer to Fig. 3, & 7).

- Set the clock by turning the **time adjustment knob** [10] as shown in Figure 7 either clockwise, or counter clockwise.
- Check the time of the typewheel by printing on the roll paper.
- Hold the seconds adjuster (4) as shown in Figure 7 to stop the clock from advancing.



**Figure 7.**

**Note:** Whether it is morning or afternoon, because the hourwheel will only show 0 – 23. The minutes will print in two minute increments such as, 00, 02, 04, 06, 08, 10, 12.....56, 58, & 60.

#### 5. How to Adjust the Date (Refer to Fig. 3, & 7).

- The date typewheel has been preset to imprint “1”. Press the feed lever (Date) [5] towards the arrow to advance the date typewheel to the correct date.
- Ensure the imprinted date is correct by using the master (K) key.
- At the beginning of each month you must adjust the date as date adjustment is not automatic.
- If required, repeat the same action detailed in Step 3 – How To Set Roll Paper.

#### 6. How to Remove the Roll Paper (Refer to Fig. 5, & 6).

- Turn the paper winder [7] counter clockwise until the last registration (imprint) is visible past the paper winder.
- Pull out the paper winder, and cut the paper tape after the last registration.
- Replace the paper winder [7], pushing down hard to the original position. The paper winder must be placed in the proper position to obtain a clear imprint.



- Repeat the same action as detailed in Step 3 – How To Set Roll Paper.

## 7. Battery Replacement

- As soon as the lamp on the clock face is no longer visible, the battery must be replaced with a new one.
- See Fig. 3 for battery case location.

**Note:** If the PR600 is not going to be used for a long time, the battery should be removed, and stored separately.

## 8. Installation of Station Box & Key (Refer to Fig. 8, & 9).

- The last link of the station key chain should be attached with one of the same screws used to attach the station box.



Figure 8.



Figure 9.

## NOTES



# **AMANO®**

*Corporate Headquarters*  
*140 Harrison Avenue, Roseland, NJ 07068-1239*  
*(800) 526-2559*

***[www.amano.com](http://www.amano.com)***